



40 SERIES
ICE STORAGE BINS



B842SS

FEATURES

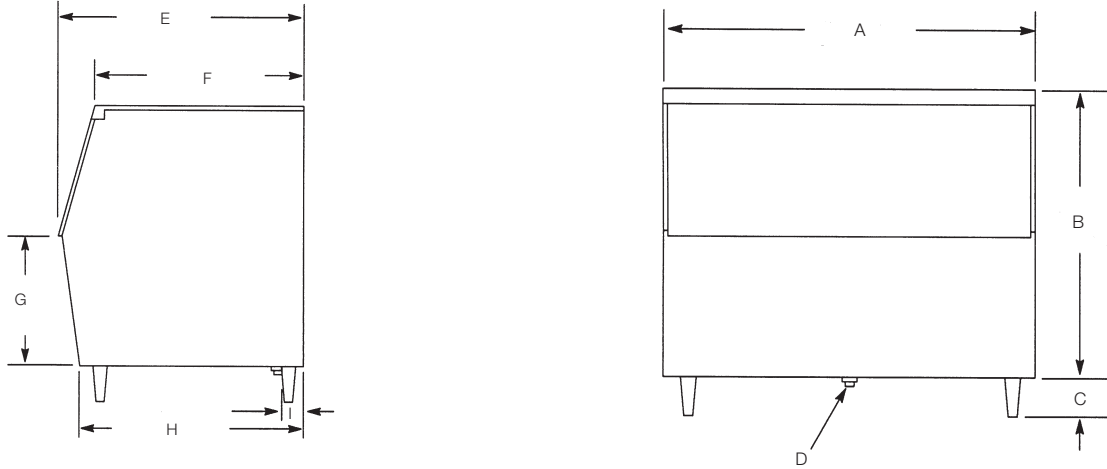
Design - Gray enamel cabinet finish

Durable - Stainless steel door

High impact - polyethylene lining

Environmentally responsible - Non-CFC foam insulation

DIMENSIONS									
UNIT	A	B	C	D	E	F	G	H	I
B842	42" (107 cm)	42" (107 cm)	6" (15 cm)	21" (53 cm)	32" (81 cm)	27.5" (70 cm)	27.1" (69 cm)	28.5" (72 cm)	3.63" (9 cm)



PART NUMBER	ARI CERTIFIED CUBE STORAGE CAPACITY*	ICE APPLICATION STORAGE CAPACITY	EMPTY WEIGHT	SHIPPING WEIGHT
B842P	580 lb (263 kg)	800 lb (363 kg)	128 lb (58 kg)	160 lb (73 kg)
B842SS	580 lb (263 kg)	800 lb (363 kg)	128 lb (58 kg)	160 lb (73 kg)

* Certified in accordance with ARI Standard 820-88

TECHNICAL SPECIFICATIONS

DRAIN CONNECTION: 1" (3 cm) fitting can be adapted to plastic, copper or galvanized drain line

CABINET FINISH: B842P: Gray baked enamel exterior with Polyethylene bin liner, Stainless steel door
 B842SS: Stainless steel exterior with Polyethylene bin liner, Stainless steel door

WARRANTY 1 year parts and labor

AGENCY LISTINGS

