



VIPER™ ELITE CLASSIC CARBON CLADDING KIT



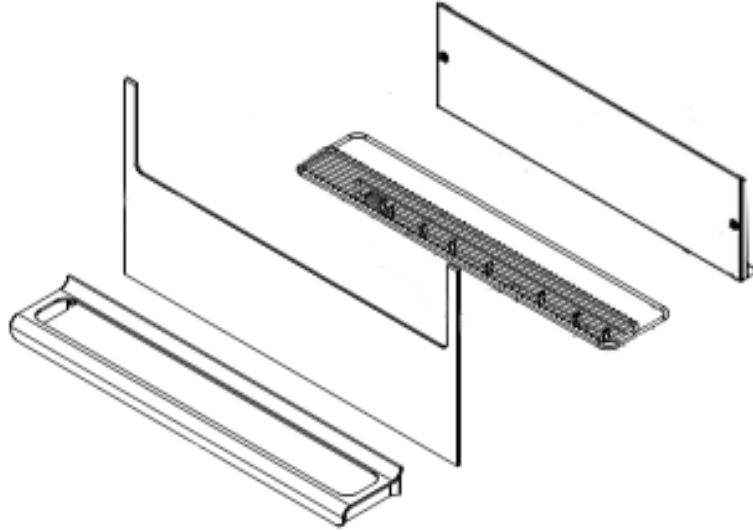
FEATURES

Easily upgrade the look of Viper equipment in your store with our Viper Elite™ Carbon Cladding Kit

Design – The award-winning Carbon design includes contemporary elements, rich black color combined with premium materials and superior finishes making this a timeless look

Easy Retrofit – Installation of the new cladding onto existing equipment is quick and easy! Utilizing your existing Viper merchandiser, simply apply the new cladding in under 5 minutes!

Easy to Clean – Rounded corners and removable drip tray make it very easy to wipe down the equipment



MODELS

PART NUMBER	DESCRIPTION
629097674	Kit - Viper Carbon Hybrid Conversion - 2FL
629097675	Kit - Viper Carbon Hybrid Conversion - 3FL
629097676	Kit - Viper Carbon Hybrid Conversion - 4FL

Works with your existing Viper equipment!

